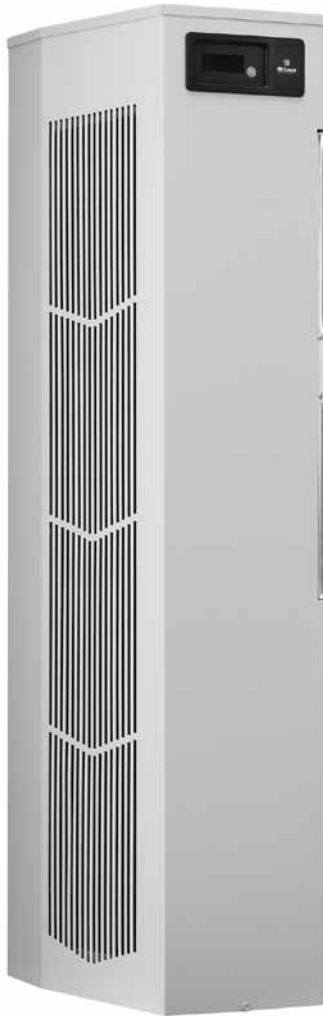


SPECTRACOOL™

N43 Narrow Indoor/Outdoor Base Models



Industry Standards

UL/cUL Listed Type 12, 3R, 4; 4X optional

CE
IP 56 Internal Loop
IP 34 on External Loop
Telcordia GR-487 capable (Outdoor)

Application

- Industrial automation
- Waste water treatment systems
- Package handling equipment
- Security and defense systems

Features

- Energy efficient rotary compressor
- R407c and R134a earth-friendly refrigerants and RoHS compliant
- Models for 115, 230 and 400/460 3-phase AC volt power input
- UL Listed to save customers time and money with agency approvals
- Outdoor model operating temperature range from -40 F/-40 C to 131 F/55 C
- Attractive industrial design with minimal use of visible fasteners
- Reliable mechanical thermostat on enclosure side of the unit. Indoor Air Conditioner models include digital display on ambient side.
- Galvanized sheet-metal cover for rugged factory and outdoor environments
- Easy-mount flanges for simple installation
- Dust-resistant condenser coil allows the unit to be run filterless in most applications
- Cleanable, reusable aluminum mesh filter to protect coils for maximum cooling performance
- Mounting hardware, gaskets and user manual furnished with the unit
- Every unit functionally tested before shipping
- Standard Indoor Air Conditioner models also include:
 - Active condensate management with heater strip
 - Power-off relay for door switch and other system requirements
 - Malfunction switch
- Standard Outdoor Air Conditioner models also include:
 - Telcordia GR-487 capable
 - Corrosion-resistant components
 - Malfunction switch
 - Compressor heater
 - Head pressure control
 - 1300 W enclosure heater

Specifications

- Nominal cooling capacity 11000 BTUs/Hr. (3223 W)
- Outdoor model operating temperature range from -40 F/-40 C to 131 F/55 C

Finish

- RAL 7035 light-gray, semi-textured powder-coat paint
- Other colors and textures available

Notes

Visit www.McLeanCoolingTech.com to download 2D and 3D CAD drawings into the overall design of your electronic system.

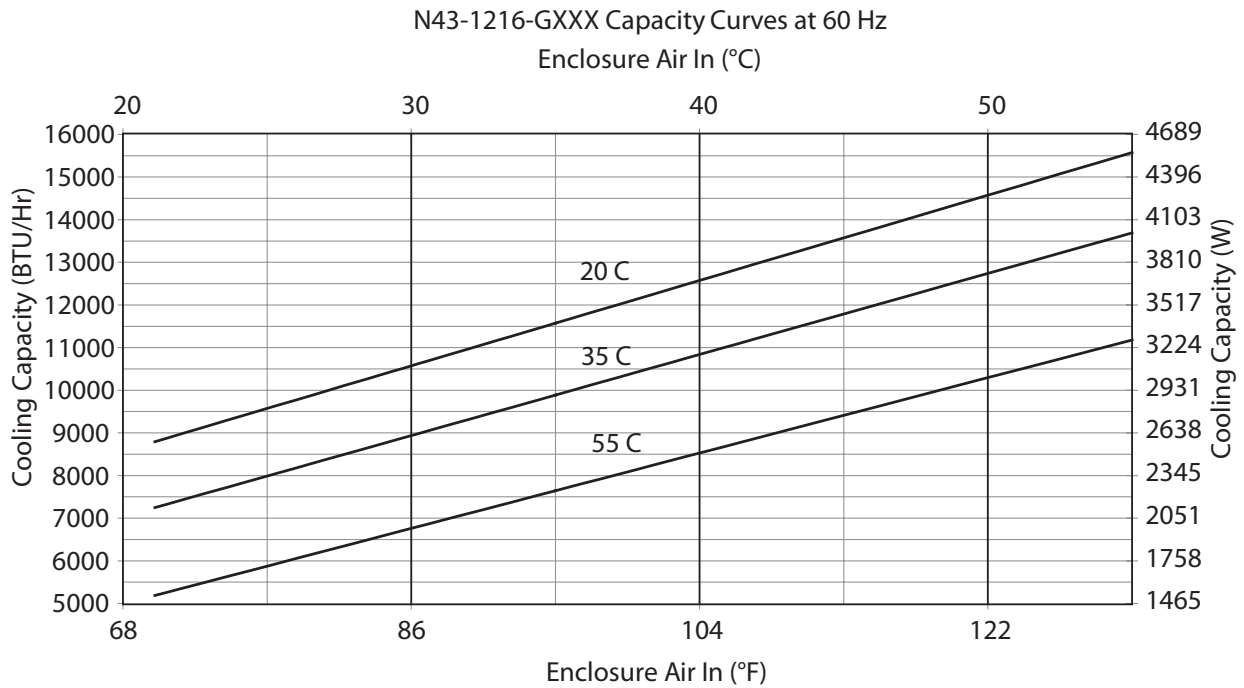
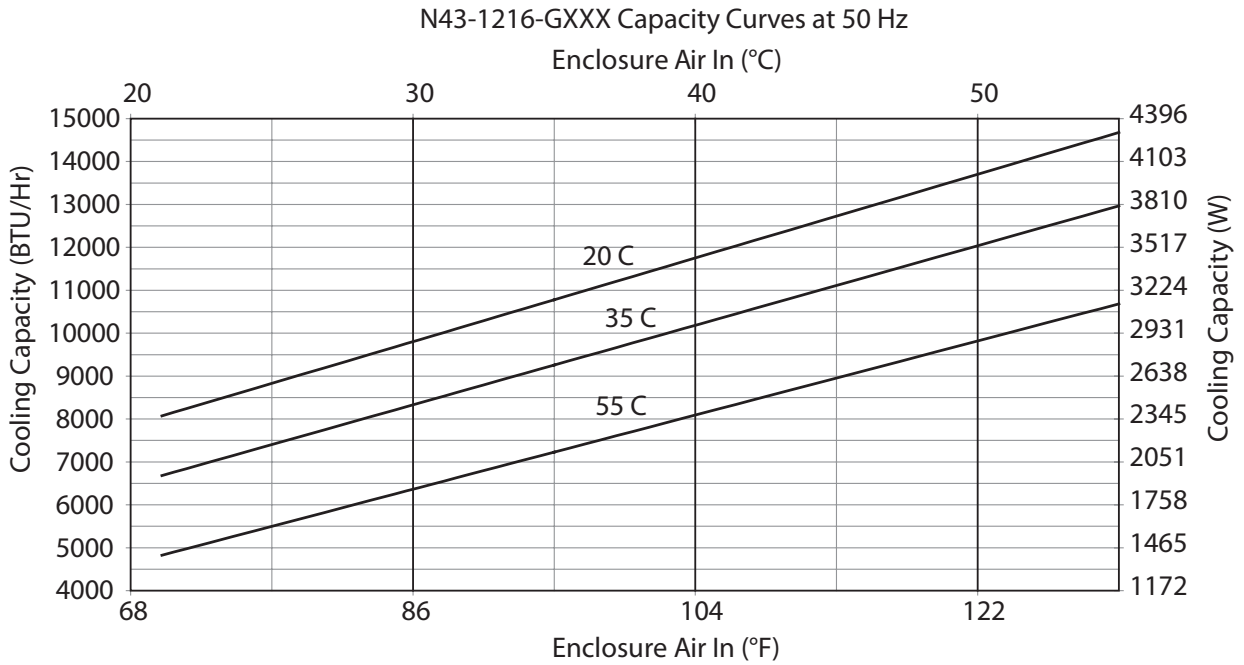
SPECTRACOOL™

 Performance Data **N43 11000 BTU/Hr. (3223 W) Models**

CATALOG NUMBER			
Indoor Model	N431216G050	N431226G050	N431246G050
Indoor Model Stainless Steel Type 4X	N431216G051	N431226G051	N431246G051
Outdoor Model without Heat Pkg.	N431216G100	N431226G100	N431246G100
Outdoor Model without Heat Pkg. Stainless Steel Type 4X	N431216G102	N431226G102	N431246G102
Outdoor Model with Heat Pkg.	N431216G150	N431226G150	
Outdoor Model with Heat Pkg. Stainless Steel Type 4X	N431216G151	N431226G151	
COOLING PERFORMANCE			
Nominal:			
BTUs/Hr.	10400 / 11000	10400 / 11000	10400 / 11000
Watts	3047 / 3223	2900 / 3223	2900 / 3223
At 131 F / 131 F (55 C / 55 C):			
BTUs/Hr (50 / 60 Herz)	10588 / 11180	9946 / 11052	10048 / 10797
Watts (50 / 60 Herz)	3103 / 3277	2915 / 3239	2945 / 3164
At 95 F / 95 F (35 C / 35 C):			
BTUs/Hr (50 / 60 Herz)	9475 / 10023	8967 / 9644	8587 / 9559
Watts (50 / 60 Herz)	2777 / 2937	2628 / 2826	2517 / 2801
Refrigerant	R134a	R134a	R134a
Refrigerant Charge (ounces/grams)	36 / 1021	38 / 1077	41 / 1162
Operating Temperature Range:			
Maximum (°F / °C)	131 / 55	131 / 55	131 / 55
Minimum (°F / °C)	-40 / -40	-40 / -40	-40 / -40
Air Flow at 0 Static Pressure:			
Internal loop 50 Hz (CFM / M ³ /Hr)	239 / 406	259 / 440	254 / 432
External loop 50 Hz (CFM / M ³ /Hr)	494 / 839	489 / 831	341 / 579
Internal loop 60 Hz (CFM / M ³ /Hr)	250 / 425	267 / 454	260 / 442
External loop 60 Hz (CFM / M ³ /Hr)	528 / 897	525 / 892	564 / 958
ELECTRICAL DATA			
Rated Voltage	115	230	400 / 460 3~
Frequency (Hertz)	50 / 60	50 / 60	50 / 60
Operating Range	+/-10%	+/-10%	+/-10%
Max. Power Consumption (Watts at 50 / 60 Hz)	1802 / 2446	1802 / 2090	1283 / 1644
Max. Nominal Current (Amps at 50 / 60 Hz)	16.6 / 22.0	8.7 / 9.1	3.1 / 3.3
Starting Current (Amps)	57	38	16
Agency Approvals	cUL Listed CE Others available upon request		
ENCLOSURE PROTECTION			
UL Type	Type 12 / 3R / 4 Standard 4X Stainless Steel Optional		
CONTROLLER			
Description	Basic Mechanical Thermostat		
Thermostat Location	Enclosure Side		
Factory Thermostat Setting (°F / °C)	80 / 27		
SOUND LEVEL			
At 1.5 Meters	68.4 dBA	68.4 dBA	69.6 dBA
UNIT CONSTRUCTION			
Material	Galvanized sheet metal standard Stainless steel optional		
Finish	RAL 7035 light-gray, semi-textured powder-coat paint standard Other colors available		
UNIT DIMENSIONS			
Height (in / mm)	43.00 / 1092.2		
Width (in / mm)	11.50 / 292.1		
Depth (in / mm)	14.00 / 355.6		
Weight (lb / kg)	127/57.6	127/57.6	138/62.6

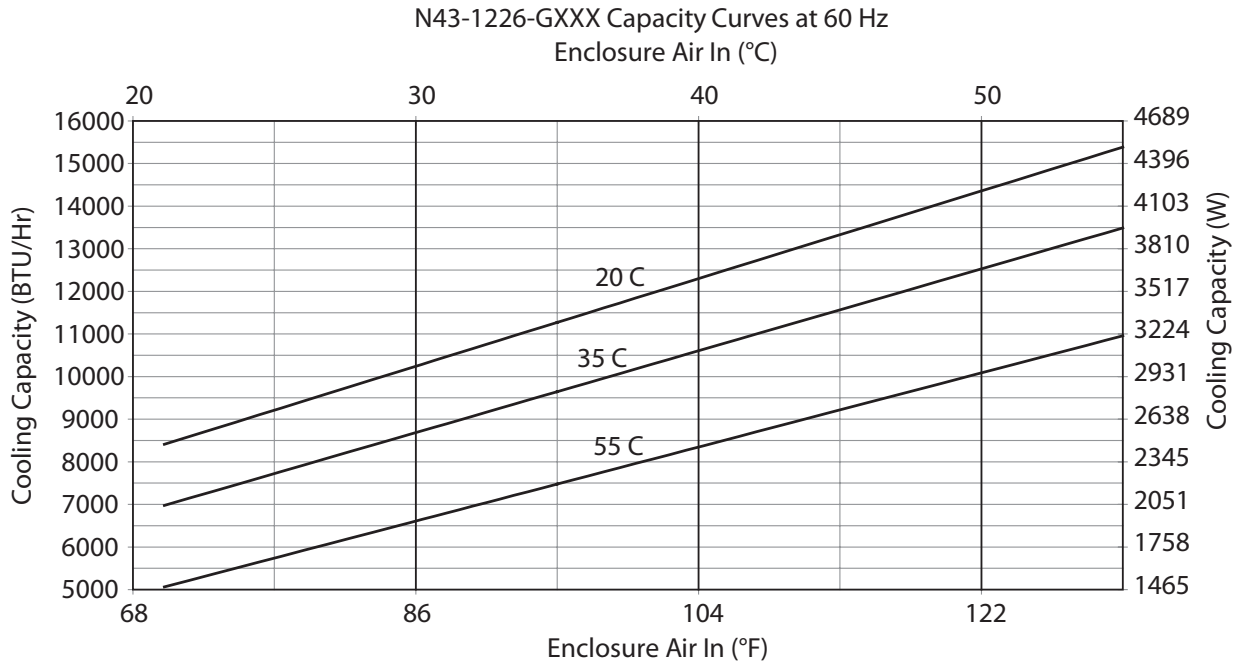
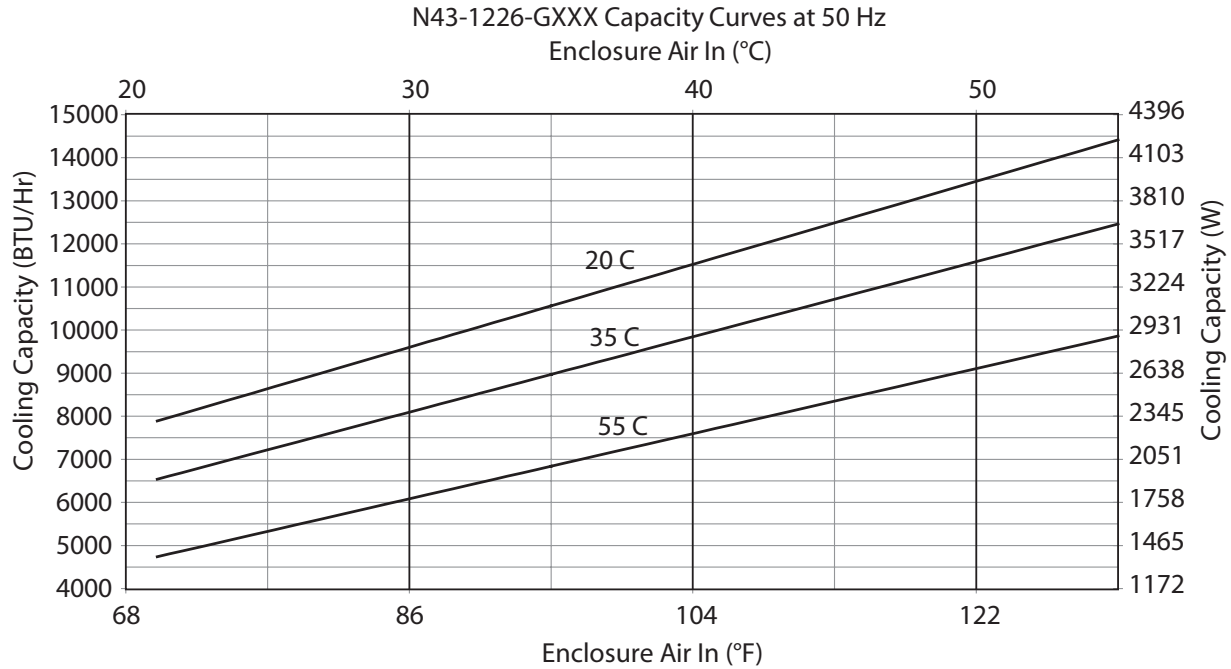
SPECTRACOOL™

Performance Curves for N43 Models 11000 BTU/Hr. (3223 Watt)



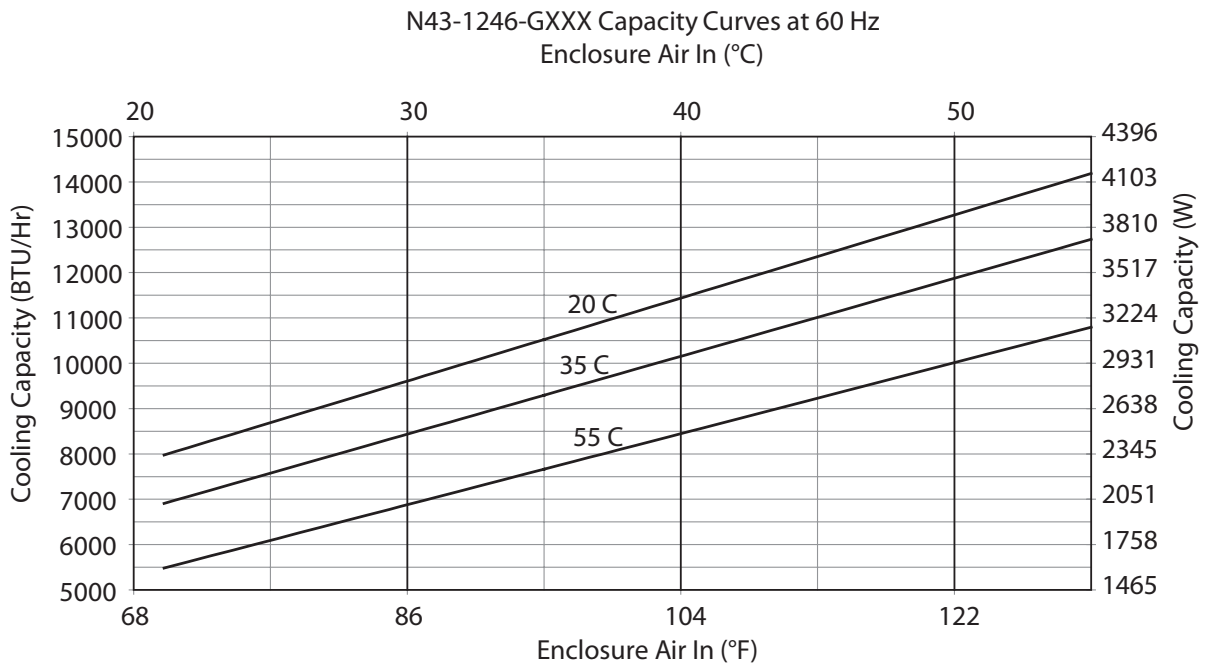
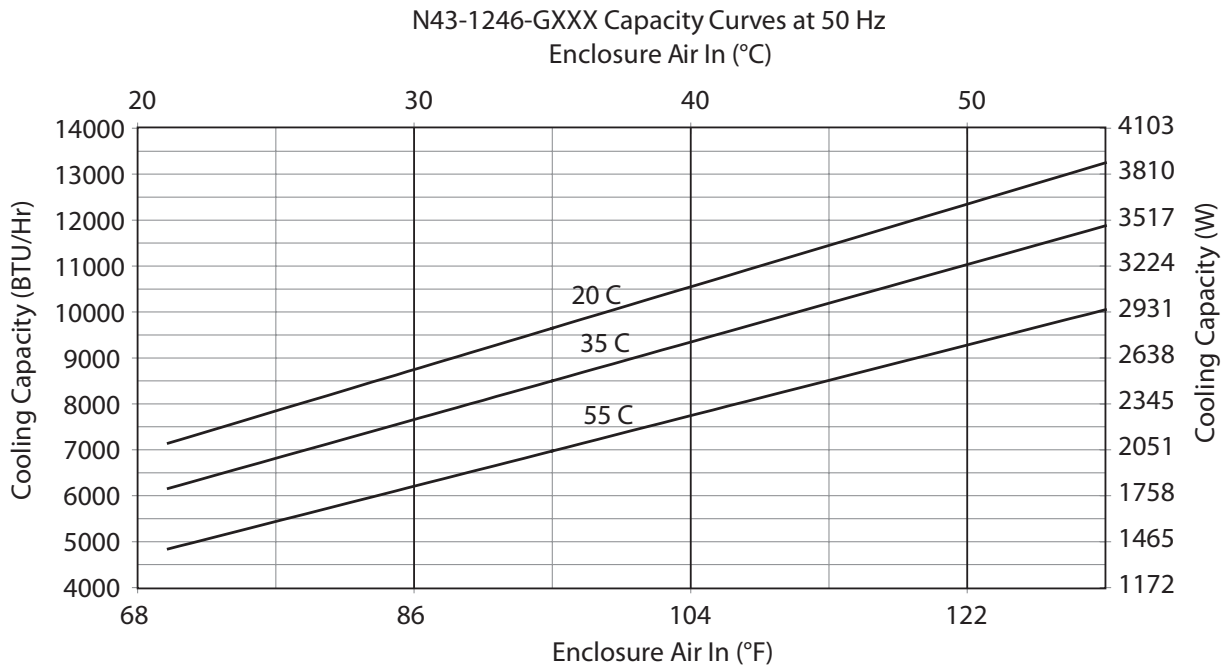
SPECTRACOOL™

Performance Curves for N43 Models 11000 BTU/Hr. (3223 Watt)



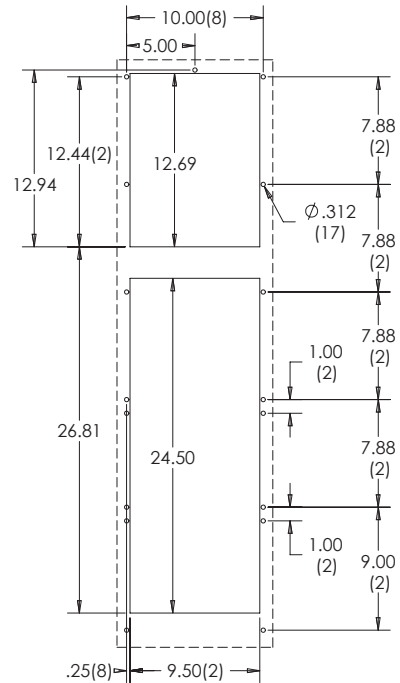
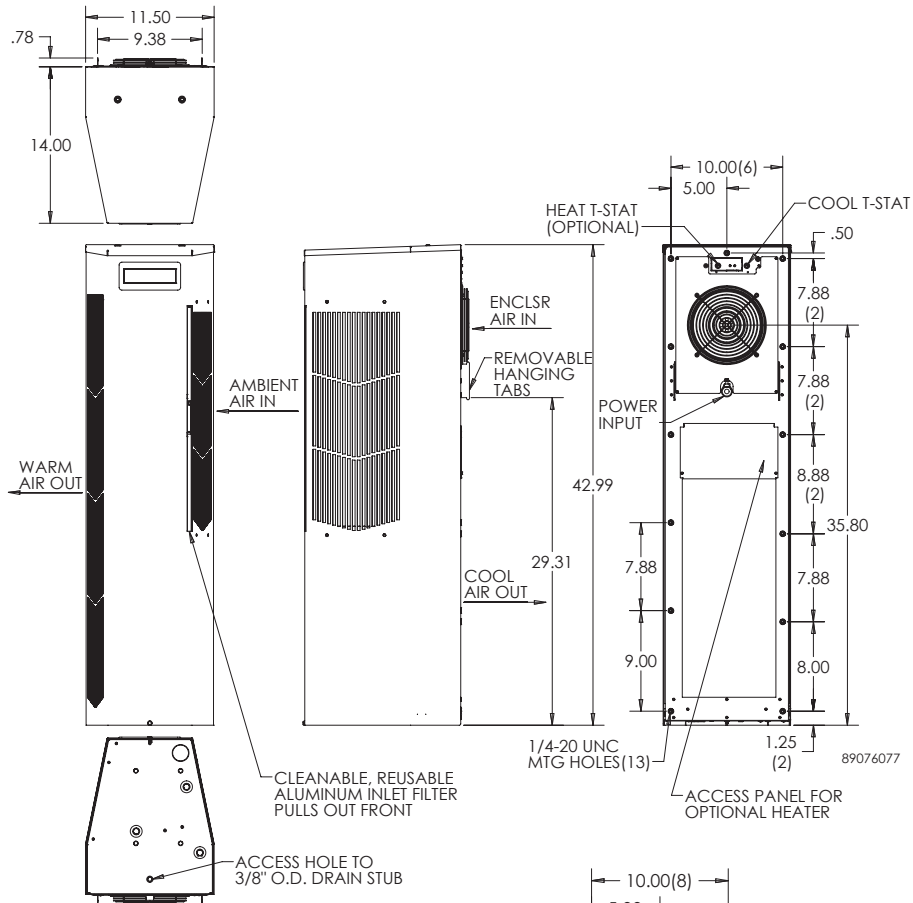
SPECTRACOOL™

Performance Curves for N43 Models 11000 BTU/Hr. (3223 Watt)



SPECTRACOOL™

N43 11000 BTU/Hr. (3223 Watt)



CUTOUT INSTRUCTIONS

Visit www.McLeanCoolingTech.com to download 2D and 3D CAD drawings into the overall design of your electronic system.