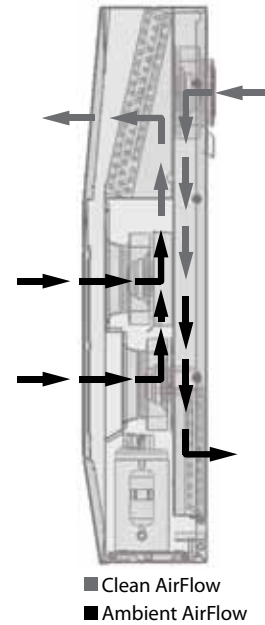
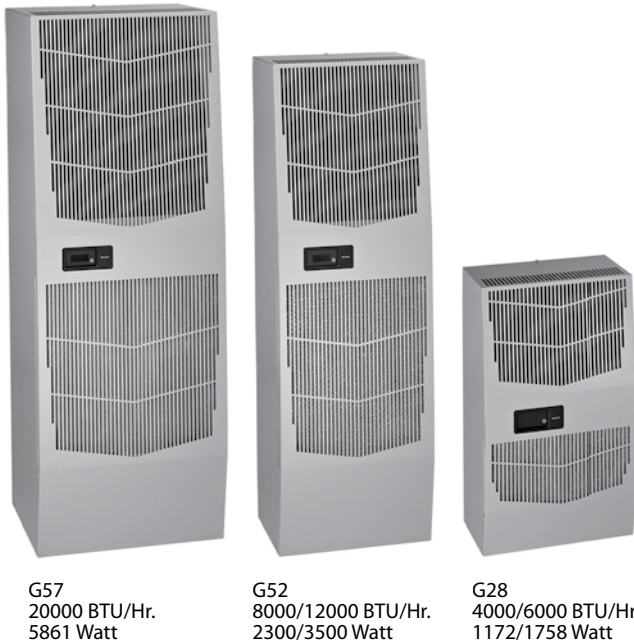


**SPECTRACOOL™ INDOOR/OUTDOOR**

**INDUSTRY STANDARDS**

UL/cUL Listed; Type 12, 3R, 4; 4X optional; File No. SA6453

CE  
 GOST  
 IP 56 Internal Loop  
 IP 34 on External Loop  
 Telcordia GR-487 capable (Outdoor)

**APPLICATION**

- Industrial automation
- Telecommunications equipment
- Waste water treatment systems
- Package handling equipment
- Security and defense systems
- And more

**FEATURES**

- Energy-efficient rotary compressor on most models
- R407c and R134a earth-friendly refrigerants
- 115, 230 and 400/460 VAC 3-phase power input on most models
- UL Listed to save customers time and money with agency approvals
- Outdoor model operating temperature range from -40 F/-40 C to 131 F/55 C
- Exterior and partially recessed mounting options
- Attractive industrial design with minimal use of visible fasteners
- Reliable mechanical thermostat on enclosure side of the unit; indoor air conditioner models include digital display on ambient side
- Dual condenser-side air movers for performance redundancy on G52 and G57 models
- Galvanized sheet-metal cover for rugged factory and outdoor environments
- Easy-mount flanges for simple installation
- Cut-out adapter options for enclosures with McLean GENESIS™ and T-Series air conditioners, enable users to easily transition to the new unit

- Dust-resistant condenser coil allows the unit to be run filterless in most applications
- Cleanable, reusable aluminum mesh filter protects coils for maximum cooling performance
- Mounting hardware, gaskets and user manual furnished with the unit
- Every unit functionally tested before shipping
- Standard Indoor Air Conditioner models also include:
  - Active condensate management with heater strip
  - Power-off relay for door switch and other system requirements
  - Malfunction switch
- Standard Outdoor Air Conditioner models also include:
  - Telcordia GR-487 capable
  - Corrosion-resistant components
  - Malfunction switch
  - Compressor heater
  - Head pressure control
  - Up to 2000 Watt (G28, G52) and 3000 Watt (G57) enclosure heater

**SPECIFICATIONS**

- Nominal cooling capacity:
  - G28 4000 & 6000 BTU/Hr. (1172 and 1758 W)
  - G52 8000 & 12000 BTU/Hr. (2344 and 3516 W)
  - G57 20000 BTU/Hr. (5861 W)
- Outdoor model operating temperature range from -40 F/-40 C to 131 F/55 C

**FINISH**

- RAL 7035 light-gray, semi-textured powder-coat paint
- Other colors and textures available

**NOTES**

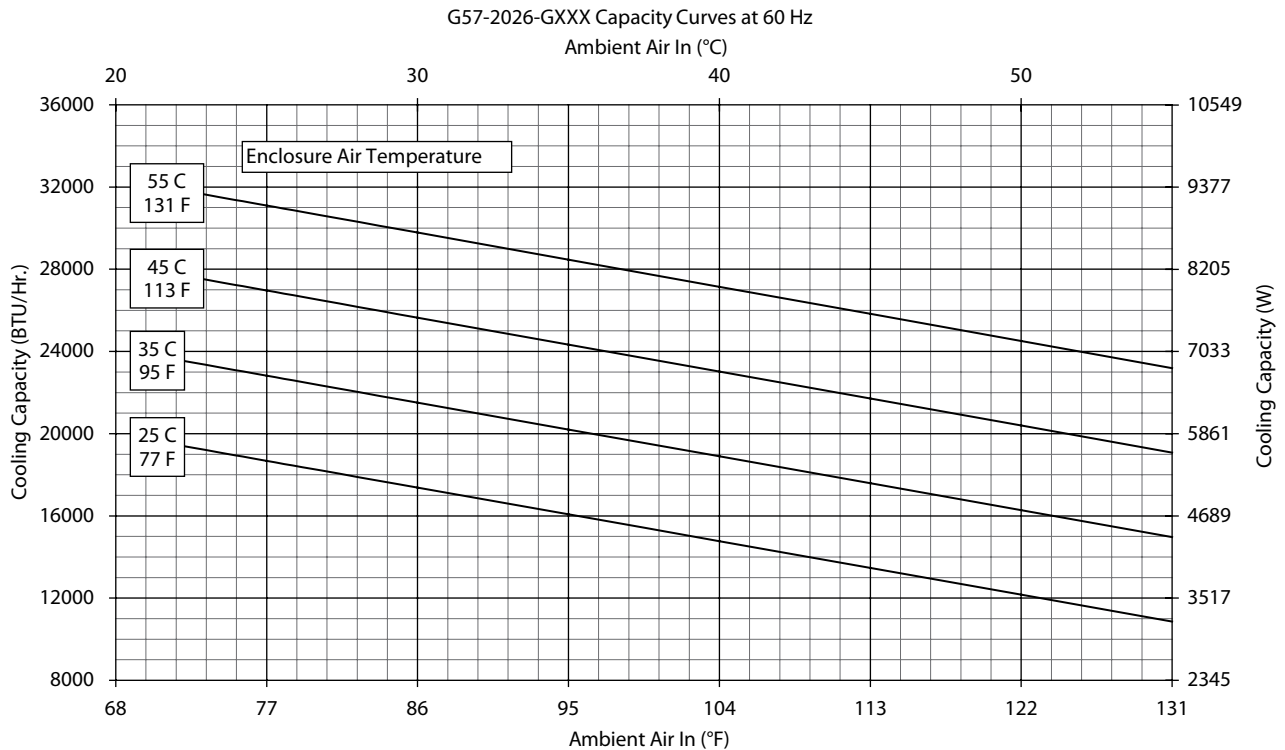
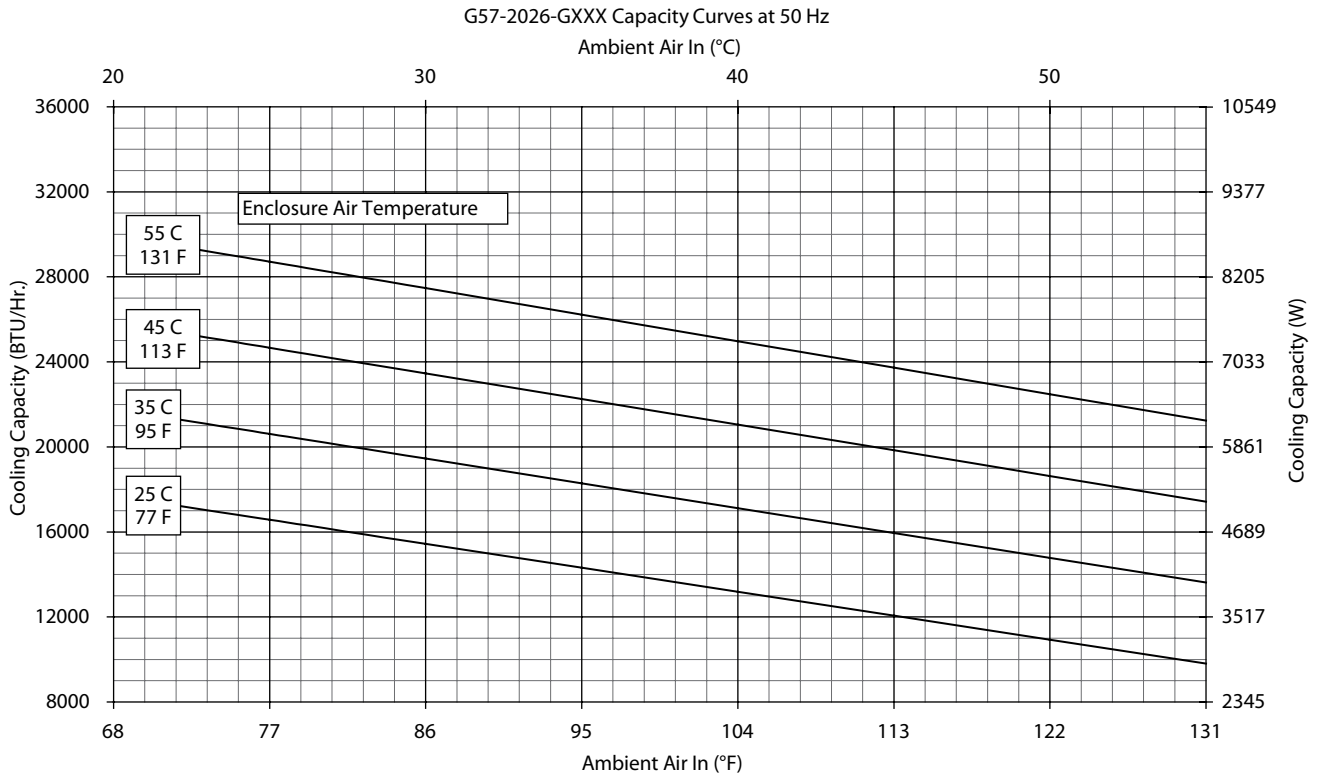
Visit [www.McLeanCoolingTech.com](http://www.McLeanCoolingTech.com) to download 2D and 3D CAD drawings into the overall design of your electronic system.

**Performance Data G57 Models 20000 BTU/Hr. (5861 Watt)**

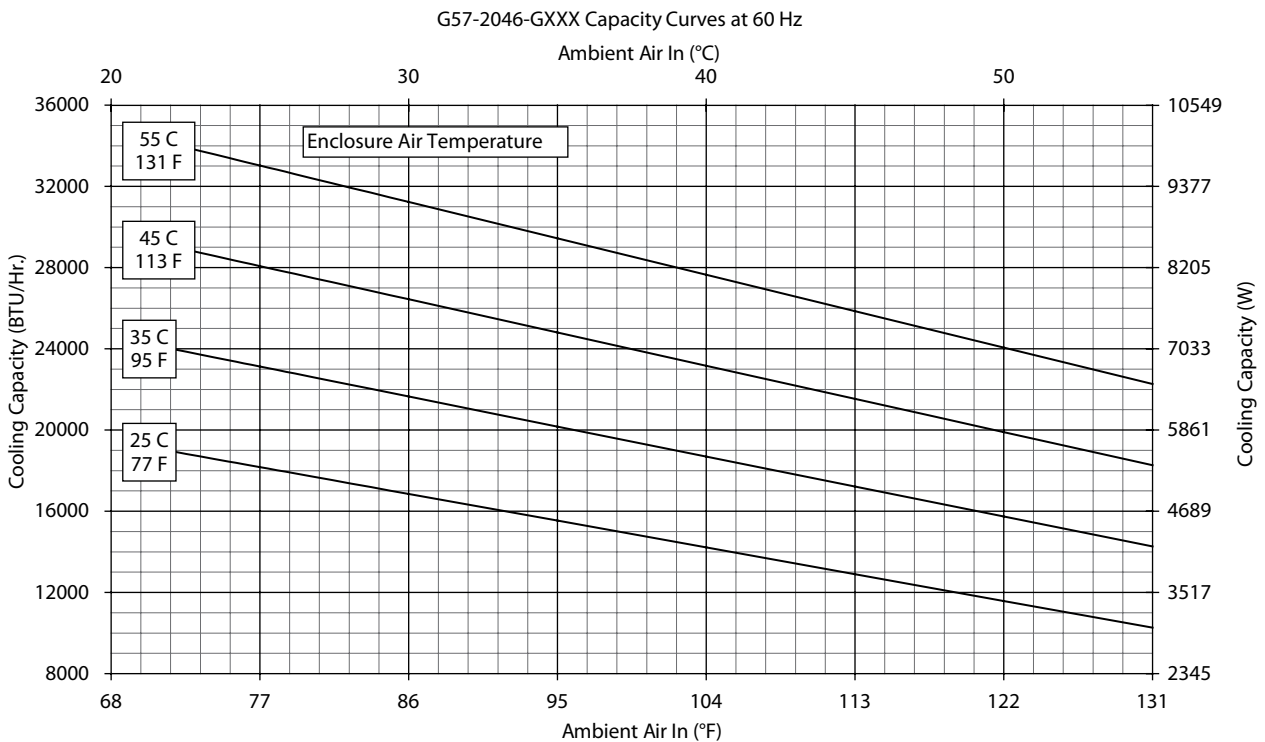
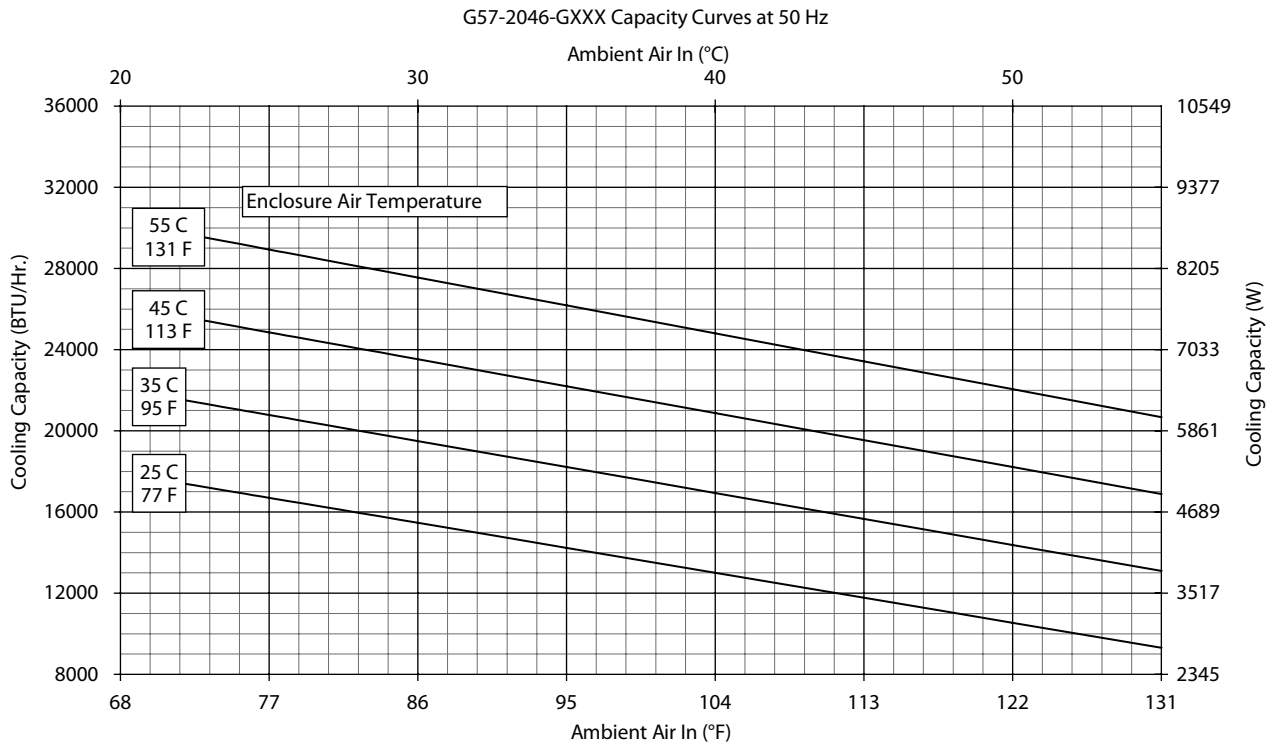
<b>CATALOG NUMBER</b>		
Indoor Model	G572026G050	G572046G050
Indoor Model Stainless Steel Type 4X	G572026G051	G572046G051
Indoor Model with Remote Access Control*	G572026G060	G572046G060
Outdoor Model without Heat Pkg.	G572026G100	G572046G100
Outdoor Model Partial Recessed Mount	G572026G101	G572046G101
Outdoor Model without Heat Pkg. Stainless Steel Type 4X	G572026G102	G572046G102
Outdoor Model with Heat Pkg.	G572026G150	G572046G150
Outdoor Model with Heat Pkg. Stainless Steel Type 4X	G572026G151	G572046G151
<b>COOLING PERFORMANCE</b>		
Nominal:		
<b>BTU/Hr.</b>	<b>20000</b>	<b>20000</b>
<b>Watts</b>	<b>5861</b>	<b>5861</b>
At 131 F/131 F (55 C/55 C):		
BTU/Hr. (50/60 Hz)	17500/19600	21400/23400
W (50/60 Hz)	5129/5744	6272/6857
At 95 F/95 F (35 C/35 C):		
BTU/Hr. (50/60 Hz)	16000/18000	19300/21400
W (50/60 Hz)	4689/5275	5656/6272
Refrigerant	R407c	R407c
Refrigerant Charge (ounces/grams)	50/1417	48/1361
Operating Temperature Range:		
Maximum (°F/°C)	131/55	131/55
Indoor Minimum (°F/°C)	50/10	50/10
Outdoor Minimum (°F/°C)	-40/-40	-40/-40
Airflow at 0 Static Pressure:		
Internal loop 50 Hz (CFM / m³/hr.)	513/872	513/872
External loop 50 Hz (CFM / m³/hr.)	919/1562	919/1562
Internal loop 60 Hz (CFM / m³/hr.)	587/998	587/998
External loop 60 Hz (CFM / m³/hr.)	1055/1794	1055/1794
Max. Heater W (Outdoor Models)	3000	3000
<b>ELECTRICAL DATA</b>		
<b>Rated Voltage</b>	<b>230/230</b>	<b>400/460 3~</b>
Frequency (Hz)	50/60	50/60
Operating Range	+/- 10%	+/- 10%
Max. Power Consumption (W at 50/60 Hz)	4508/5106	2400/3128
Max. Nominal Current (A at 50/60 Hz)	19.6/22.2	6.0/6.8
Starting Current (A)	63	27
Agency Approvals	cUL Listed CE GOST Others available upon request	
Power Input Description	Terminal Block	
<b>ENCLOSURE PROTECTION</b>		
UL Type	Type 12, 3R, 4 standard Type 4X stainless steel optional	
International Rating	IP56 internal loop IP34 external loop	
<b>CONTROLLER</b>		
Description	Basic mechanical thermostat with digital display	
Thermostat Location	Enclosure side on all base models	
Digital Display Location:		
Indoor Models	Ambient side	
Outdoor Models	Enclosure side	
Factory Thermostat Setting (°F/°C)	80/27	
<b>SOUND LEVEL</b>		
At 1.5 Meters	74.1 dB(A)	
<b>UNIT CONSTRUCTION</b>		
Material	Galvanized sheet metal standard Stainless steel optional	
Finish	RAL 7035 light-gray, semi-textured powder-coat paint standard	
<b>ACCESSORIES</b>		
Cleanable Re-usable Filter	Aluminum mesh part #101000103 BA	
EASYSWAP Adaptor Plenum (T-Series T53)	Enables SPECTRACOOL to be mounted to a T-Series T53 air conditioner cutout part #57721601SP	
<b>UNIT DIMENSIONS</b>		
Height (in./mm)	57.69/1465.4	
Width (in./mm)	20.87/530.1	
Depth (in./mm)	15.28/388.1	
Weight (lb./kg)	197/89	

\*Units with Remote Access Control utilize a digital controller and communicate via SNMP over ethernet or modbus RTU over USB.

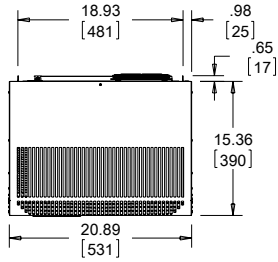
Performance Curves for G57 Models 20000 BTU/Hr.



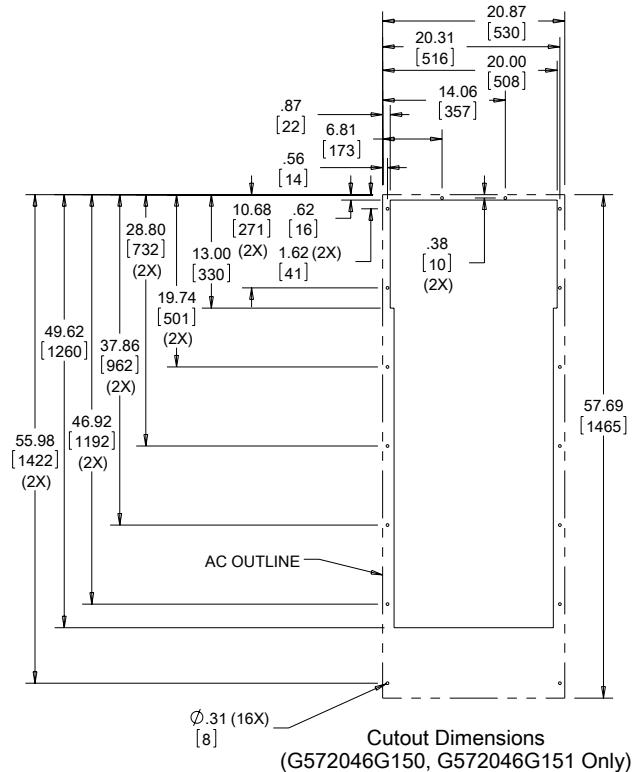
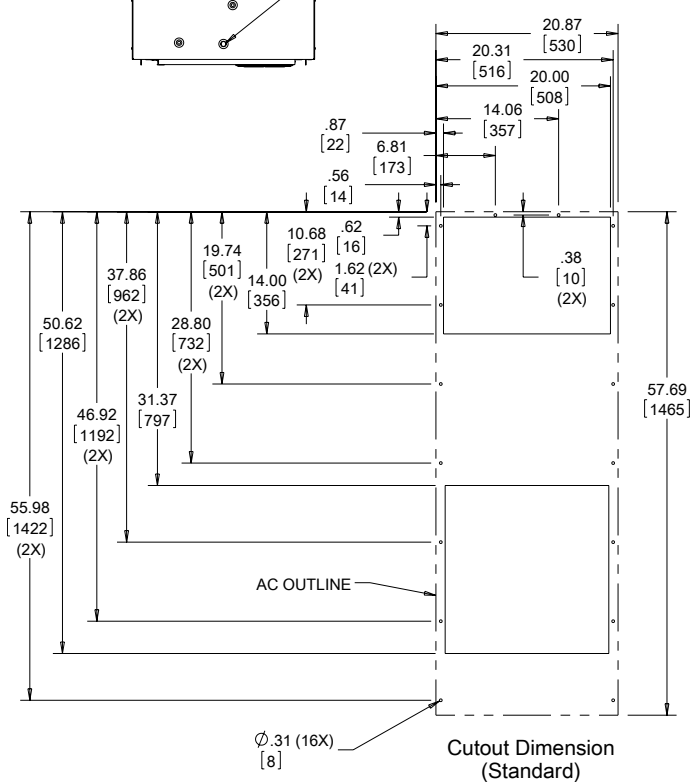
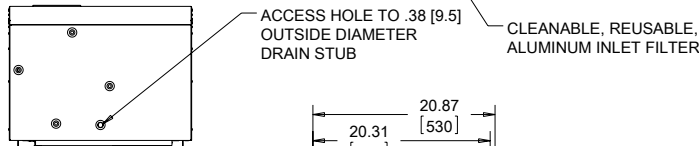
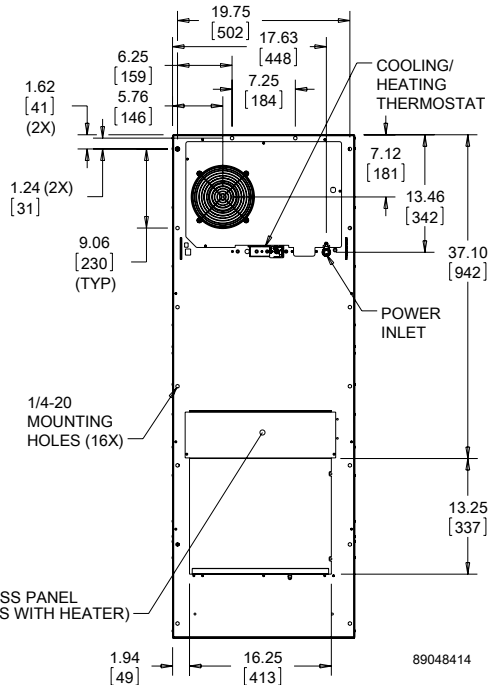
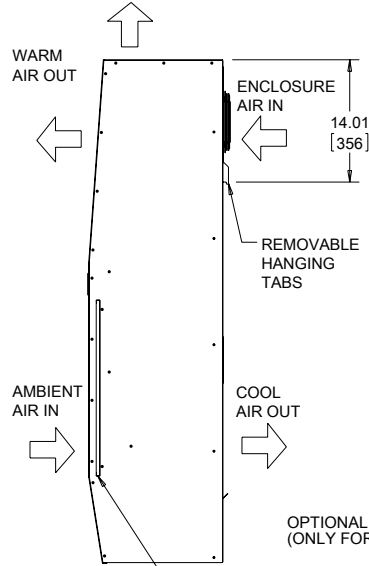
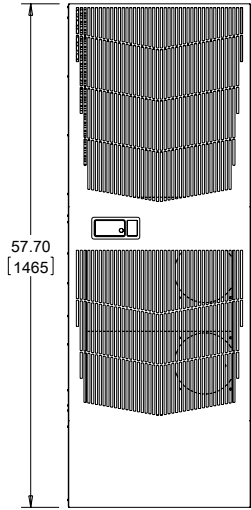
## Performance Curves for G57 Models 20000 BTU/Hr.



G57 Models 20000 BTU/Hr. (5861 Watt)

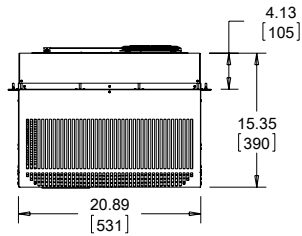


NOTE:  
1. MOUNTING GASKET SUPPLIED (NOT SHOWN)  
2. UNITS: in. [mm]

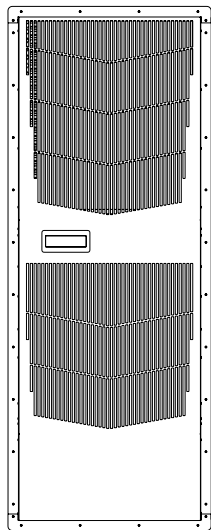


Visit [www.McLeanCoolingTech.com](http://www.McLeanCoolingTech.com) to download 2D and 3D CAD drawings into the overall design of your electronic system.

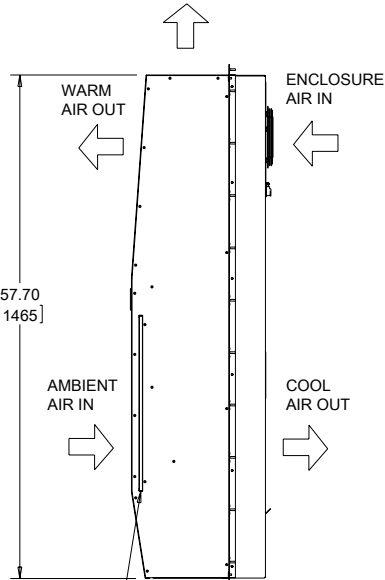
G57 Models 20000 BTU/Hr. (5861 Watt) With Partial Recess



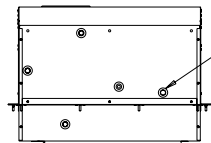
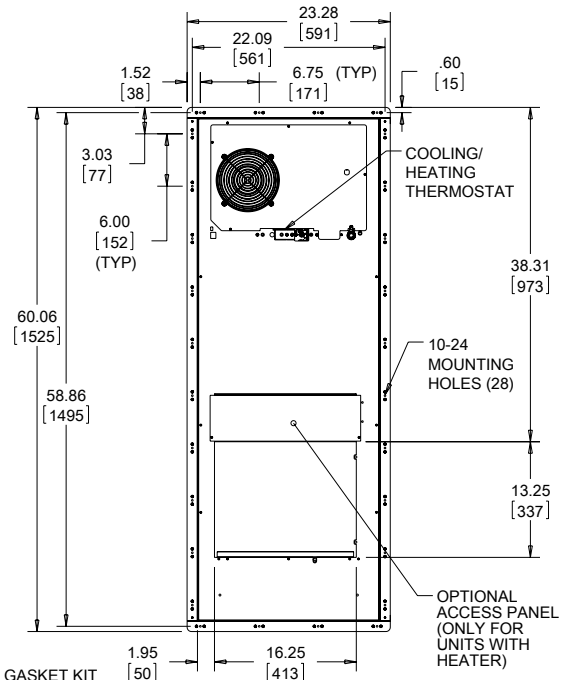
NOTE:  
 1. MOUNTING GASKET SUPPLIED (NOT SHOWN)  
 2. UNITS: in. [mm]



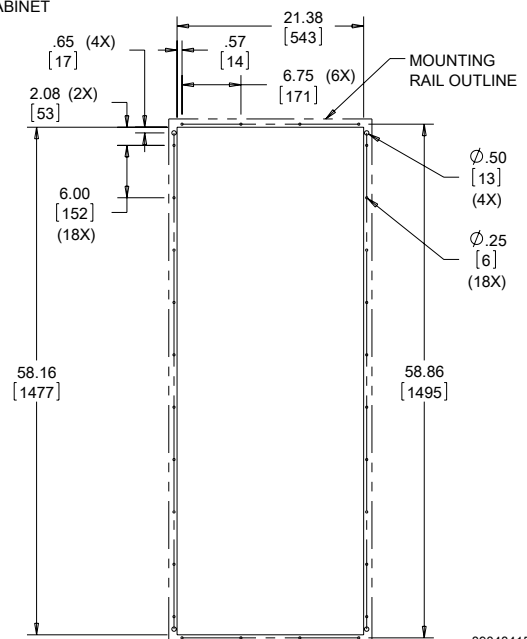
CLEANABLE, REUSABLE, ALUMINUM INLET FILTER



INCLUDED MOUNTING GASKET KIT TO BE ADHERED TO THIS SIDE OF MOUNTING RAILS BEFORE INSTALLING AIR CONDITIONER TO CABINET



ACCESS HOLE TO .38 [9.5] OUTSIDE DIAMETER DRAIN STUB



Cutout Dimensions

89048415

Visit [www.McLeanCoolingTech.com](http://www.McLeanCoolingTech.com) to download 2D and 3D CAD drawings into the overall design of your electronic system.