

Narrow Air Conditioners

4000-6000 BTU/Hr. (1172-1758 Watts)



M36



M33

Features

- Stock models are equipped with a thermostat control that offers convenient digital display of enclosure temperature and high temperature alarm (125°F/52°C). Flashing display indicates alarm condition. EMI/RFI noise suppressor and UL/CUL and CE listing are standard on stock models.
- These units offer a unique passive condensate management system that evaporates moisture from the enclosure and eliminates drain tubes, buckets and wet floors in typical applications; EZ Mount flanges simplify installation to two-step, one person job.
- Genesis™ units are directly interchangeable with the comparable Slimboy Series, however, the Genesis M33 does not come equipped with a backplane like the old Slimboy model.
- Narrow models offer a broad capacity range with the advantage of mounting on narrow enclosures. The M33 Series is only 12" wide, and the M36 is only 15" wide.
- High performance, industrial-grade ball bearing fans in the M33, and high performance blowers in the M36, provide maximum heat transfer in densely packed enclosures.
- Most components accessible by removing air filter.
- 100% functionally tested.
- Mounting gaskets, drawings and instruction manual furnished.
- All units use a CFC-free or environmentally safe refrigerant.




TYPE 12 RoHS

UL/cUL, CE and TYPE 12 are standard on all Genesis™ M33 and M36 Stock models. (UL File SA6453) Please contact the factory. UL TYPE 12 approval on all models.

Other Units To Consider

Genesis™ M33: 33 Water-Cooled, pg. B.25

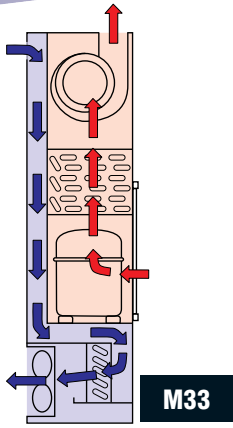
Option Packages (see pg. B.47)

	M33	M36
Thermostat Package	✓	✓
Thermostat/Malfunction Package	✓	✓
Active Condensate Evaporator Package	✓	✓
Special Voltage Package	✓	✓
Outdoor Package*	✓	✓
Harsh Environment Package*	✓	✓
Stainless Steel Package*	✓	✓
Heater Package	✓	✓

* Please refer to pages B.21-B.24 for our air conditioners that have been engineered and manufactured specifically for demanding applications.

McLean Thermal Closed-loop Cooling

Within the air conditioner, the recirculated clean enclosure air is kept separate from the ambient airflow system. This protects the electronic controls and prevents shutdowns caused by heat, humidity, dust and other contaminants.



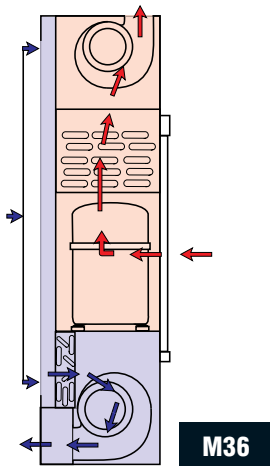
GENESIS™ M33 Series

4000 BTU/Hr. (1172 Watts)
H x W x D: 34.37" (873) x 12" (305) x 9.88" (251)

Model		Voltage	Hz	Full Load Amps	Phase	BTU/Hr @ Max Amb Temp	Max Amb Temp °F/°C	Shipping Weight Lbs/Kgs
M33-0416-G010	STOCK	115	50/60	13.0/13.2	1	3700/4000	125/52	105/48
M33-0416-G0XX		115	50/60	13.0/13.2	1	3700/4000	125/52	105/48
M33-0426-G009	STOCK	230	50/60	7.2/7.3	1	3700/4000	125/52	105/48
M33-0426-G0XX		230	50/60	7.2/7.3	1	3700/4000	125/52	105/48
M33-0446-G400		400/460	50/60	4.0/4.0	1	3700/4000	125/52	125/57
M33-0446-GXXX *		400/460	50/60	4.0/4.0	1	3700/4000	125/52	125/57

* Transformer mounted outside in a separate box attached to the unit.

-XX will be replaced with a two-digit number designating all desired options. Consult the factory for specific model numbers.



GENESIS™ M36 Series

6000 BTU/Hr. (1758 Watts)
H x W x D: 38.72" (984) x 15" (381) x 11.33" (288)

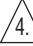
Model		Voltage	Hz	Full Load Amps	Phase	BTU/Hr @ Max Amb Temp	Max Amb Temp °F/°C	Shipping Weight Lbs/Kgs
M36-0616-307	STOCK	115	50/60	14.0/14.0	1	5000/6000	125/52	120/54
M36-0616-3XX		115	50/60	14.0/14.0	1	5000/6000	125/52	120/54
M36-0626-306	STOCK	230	50/60	7.0/7.0	1	5000/6000	125/52	120/54
M36-0626-3XX		230	50/60	7.0/7.0	1	5000/6000	125/52	120/54
M36-0646-400		400/460	50/60	3.9/3.9	1	5000/6000	125/52	140/64
M36-0646-3XX		400/460	50/60	3.9/3.9	1	5000/6000	125/52	140/64

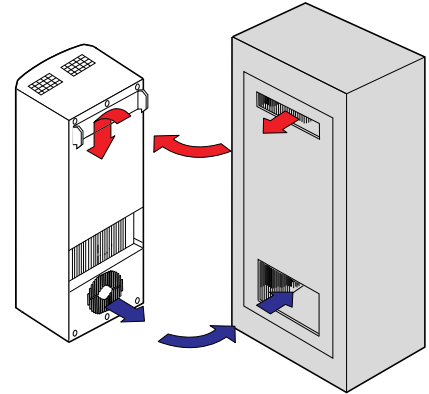
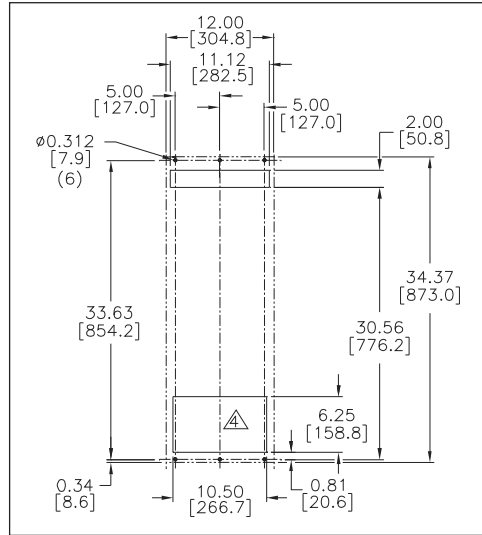
-XX will be replaced with a two-digit number designating all desired options. Consult the factory for specific model numbers.

- Ambient air flow
- Clean air flow

GENESIS™ M33 Series

CUT-OUT NOTES

1. Cord is routed through the 2" x 11.12" return air opening (top).
2. Dash lines represent air conditioner.
3. Cut-out dimensions for standard product only.
4.  Bottom opening will accommodate air conditioner or heat exchanger.
5. Full-size mounting template provided.



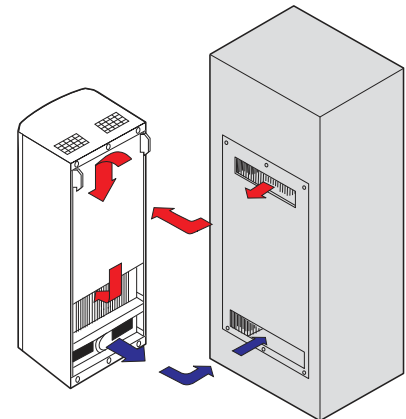
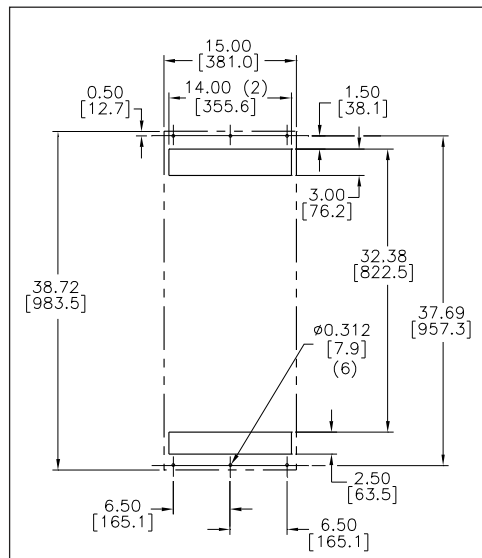
SIDE MOUNT TO ENCLOSURE

For TYPE 12 enclosure, interfacing air-out and air-in openings are required in the enclosure wall.

GENESIS™ M36 Series

CUT-OUT NOTES

1. Service cord is routed through the 3" x 14" return air opening.
2. Dash lines represent air conditioner.
3. Cut-out dimensions for standard product only.
4. Full-size mounting template provided.

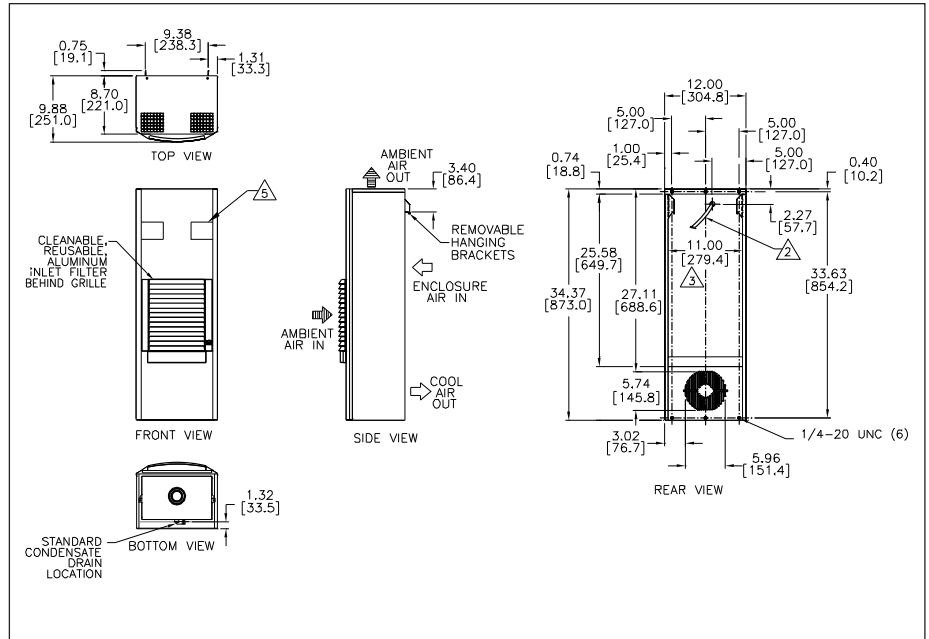


SIDE MOUNT TO ENCLOSURE

For TYPE 12 enclosure, interfacing air-out and air-in openings are required in the enclosure wall.

DESIGN NOTES

1. Gasket kit for mounting to enclosure included.
2. Service cord.
3. This 25.58" x 11" area is recessed 1.12" from rear surface (referred to as the "plenum").
5. Condenser air discharge out front is optional.



DESIGN NOTES

1. Gasket kit for mounting to enclosure included.
2. Service cord.
3. This 14" x 29.13" area is recessed 1.44" from rear surface (referred to as the "plenum").
4. Condenser air discharge out front is optional.

