

Compact To Full-size Air Conditioners

1600-8500 BTU/Hr. (469-2490 Watts)

PROAIR™
The Ultimate Line



CR29



CR43



CR23

Features

- Stock models include thermostat control and EMI/RFI noise suppressor. UL/CUL listing is standard on CR23, CR29 and CR43 stock models.
- The ProAir™ Series combines state-of-the-art design with pleasing aesthetics. This highly efficient series offers a broad range of sizes and performance capacities.
- For more sophisticated requirements we offer Levels II and III Smart Control. This microprocessor-based option provides programmable temperature management, digital display of enclosure temperature, as well as remote alarm capabilities. (See page B.48)
- Maintenance is made easy by front cover hinging open for quick access to all components.
- The Flip Filter design on the CR23 and CR29 uses only 50% of the filter surface so filter can be inverted to double operating time between cleanings/replacements.
- EZ Mount flanges simplify installation to a two-step, one-person job.
- Filterless operation possible in many applications.
- Unique condensate management system evaporates moisture from enclosure and eliminates drain tubes, buckets and wet floors.
- High performance fans and blowers are ideal for densely packed enclosures.
- 100% functionally tested.
- Mounting hardware, gaskets, drawings, mounting template and instruction manual furnished.
- All units use a CFC-free or environmentally safe refrigerant.

TYPE 12/3R **RoHS**

UL TYPE 12/3R approval is standard on all stock models. UL/cUL listing available on most models. (UL File SA6453)

Other Units To Consider

- CR23: CR23 Stainless Steel, pg. B.21; Genesis™ M17, pg. B.7
 CR29: CR29 Stainless Steel, pg. B.21; Genesis™ M28, pg. B.11
 CR43: CR43 Stainless Steel, pg. B.21

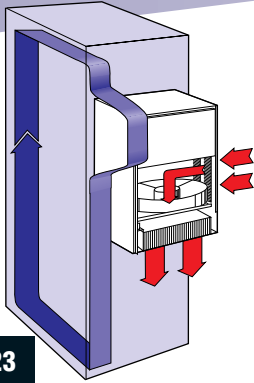
Option Packages (see pgs. B.47-B.48)

	CR23	CR29	CR43
Smart Control Package		✓	✓
Thermostat Package	✓	✓	✓
Thermostat/Malfunction Package	✓	✓	✓
Special Voltage Package	✓	✓	✓
Outdoor Package*	✓	✓	✓
Harsh Environment Package*	✓	✓	✓
Stainless Steel Package	See pages B.21-B.24		
Heater Package	✓	✓	✓

* Please refer to pages B.21-B.24 for our air conditioners that have been engineered and manufactured specifically for demanding applications.

McLean Thermal Closed-loop Cooling

Within the air conditioner, the recirculated clean enclosure air is kept separate from the ambient airflow system. This protects the electronic controls and prevents shutdowns caused by heat, humidity, dust and other contaminants.



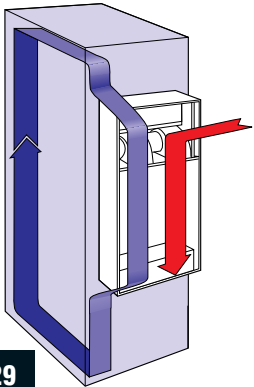
CR23

ProAir™ CR23

1600 BTU/Hr. (469 Watts)
H x W x D: 23" (584) x 10" (254) x 8.75" (222)

Model	Voltage	Hz	Phase	BTU/Hr @ 131°F/131°F*	Amps @ 131°F/131°F	BTU/Hr @ 95°F/95°F*	Amps @ 95°F/95°F	Max Amb Temp °F/°C	Shipping Weight Lbs/Kgs	
CR23-0216-G002	STOCK	115	50/60	1	1700/1800	4.4/4.6	1500/1500	3.9/3.3	131/55	57/26
CR23-0216-G0XX		115	50/60	1	1700/1800	4.4/4.6	1500/1500	3.9/3.3	131/55	57/26
CR23-0226-G002	STOCK	230	50/60	1	1700/1800	2.3/2.2	1500/1500	2.0/1.7	131/55	57/26
CR23-0226-G0XX		230	50/60	1	1700/1800	2.3/2.2	1500/1500	2.0/1.7	131/55	57/26
CR23-0246-G400		400/460	50/60	1	1400/1600	1.2/1.2	1500/1700	1.1/1.1	131/55	67/30
CR23-0246-GXXX		400/460	50/60	1	1400/1600	1.2/1.2	1500/1700	1.1/1.1	131/55	67/30

-XX will be replaced with a two-digit number designating all desired options. Consult the factory for specific model numbers.
 *Two cooling capacities are listed to demonstrate the consistent performance throughout the typical operating range.



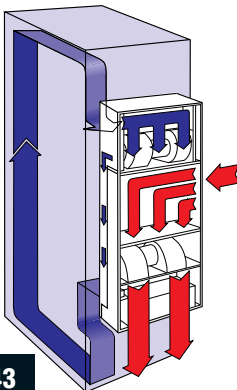
CR29

ProAir™ CR29

2000-4000 BTU/Hr. (586-1172 Watts)
H x W x D: 29.50" (749) x 15.75" (400) x 8.63" (219)

Model	Voltage	Hz	Phase	BTU/Hr @ 131°F/131°F*	Amps @ 131°F/131°F	BTU/Hr @ 95°F/95°F*	Amps @ 95°F/95°F	Max Amb Temp °F/°C	Shipping Weight Lbs/Kgs	
CR29-0216-G002	STOCK	115	50/60	1	2000/2200	7.47/4.4	1700/2000	7.0/6.0	131/55	98/44
CR29-0216-G0XX		115	50/60	1	2000/2200	7.47/4.4	1700/2000	7.0/6.0	131/55	98/44
CR29-0226-G002	STOCK	230	50/60	1	2500/2700	4.6/3.9	1900/2300	4.4/3.3	131/55	98/44
CR29-0226-G0XX		230	50/60	1	2500/2700	4.6/3.9	1900/2300	4.4/3.3	131/55	98/44
CR29-0246-G004		400/460	50/60	1	2500/2700	2.5/2.1	1900/2300	2.3/2.0	131/55	108/49
CR29-0246-GXXX		400/460	50/60	1	2500/2700	2.5/2.1	1900/2300	2.3/2.0	131/55	108/49
CR29-0416-G002	STOCK	115	50/60	1	3500/4000	13.5/13.5	2400/2800	10.7/9.6	131/55	118/54
CR29-0416-G0XX		115	50/60	1	3500/4000	13.5/13.5	2400/2800	10.7/9.6	131/55	118/54
CR29-0426-G002	STOCK	230	50/60	1	3500/4000	6.7/6.6	2400/2800	5.9/5.3	131/55	118/54
CR29-0426-G0XX		230	50/60	1	3500/4000	6.7/6.6	2400/2800	5.9/5.3	131/55	118/54
CR29-0446-G004		400/460	50/60	1	3500/4000	3.7/3.6	2400/2800	3.4/3.3	131/55	128/58
CR29-0446-GXXX		400/460	50/60	1	3500/4000	3.7/3.6	2400/2800	3.4/3.3	131/55	128/58

-XX will be replaced with a two-digit number designating all desired options. Consult the factory for specific model numbers.
 *Because air conditioners provide less cooling at lower operating temperatures, two cooling capacity ratings are listed for each ProAir™ air conditioner to assist you in your selection.



CR43

ProAir™ CR43

6000-8500 BTU/Hr. (1758-2490 Watts)
H x W x D: 43.31" (1100) x 15.75" (400) x 10.25" (260)

Model	Voltage	Hz	Phase	BTU/Hr @ 131°F/131°F*	Amps @ 131°F/131°F	BTU/Hr @ 95°F/95°F*	Amps @ 95°F/95°F	Max Amb Temp °F/°C	Shipping Weight Lbs/Kgs	
CR43-0616-002	STOCK	115	50/60	1	5800/6000	14.6/13.7	4800/5100	12.5/11.0	131/55	133/60
CR43-0616-0XX		115	50/60	1	5800/6000	14.6/13.7	4800/5100	12.5/11.0	131/55	133/60
CR43-0616-G0XX		115	50/60	1	5500/6000	16.6/18.7	4000/4500	14.2/14.1	131/55	133/60
CR43-0626-002	STOCK	230	50/60	1	5800/6000	7.3/6.9	4800/5100	6.3/5.5	131/55	133/60
CR43-0626-0XX		230	50/60	1	5800/6000	7.3/6.9	4800/5100	6.3/5.5	131/55	133/60
CR43-0616-G0XX		230	50/60	1	5500/6000	8.3/8.6	4000/4500	7.1/6.5	131/55	133/60
CR43-0646-G004		460	50/60	1	5500/6000	4.0/3.8	5500/6000	3.5/3.0	131/55	143/65
CR43-0646-XXX		460	50/60	1	5500/6000	4.0/3.8	5500/6000	3.5/3.0	131/55	143/65
CR43-0816-002	STOCK	115	50/60	1	7500/8500	15.0/16.0	6700/7500	13.5/12.9	131/55	140/64
CR43-0816-0XX		115	50/60	1	7500/8500	15.0/16.0	6700/7500	13.5/12.9	131/55	140/64
CR43-0816-G0XX		115	50/60	1	7100/8000	21.0/21.2	5300/6300	18.6/15.8	131/55	140/64
CR43-0826-002	STOCK	230	50/60	1	7354/8500	7.9/8.2	6400/7500	6.0/6.3	131/55	140/64
CR43-0826-0XX		230	50/60	1	7354/8500	7.9/8.2	6400/7500	6.0/6.3	131/55	140/64
CR43-0826-G0XX		230	50/60	1	7100/8000	11.5/10.2	5300/6300	10.1/7.8	131/55	140/64
CR43-0846-G004		460	50/60	1	7500/8500	4.3/4.5	7100/8000	3.3/2.8	131/55	158/72
CR43-0846-XXX		460	50/60	1	7500/8500	4.3/4.5	7100/8000	3.3/2.8	131/55	158/72

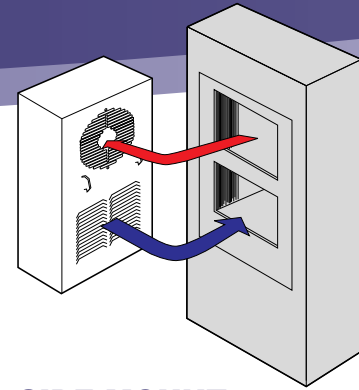
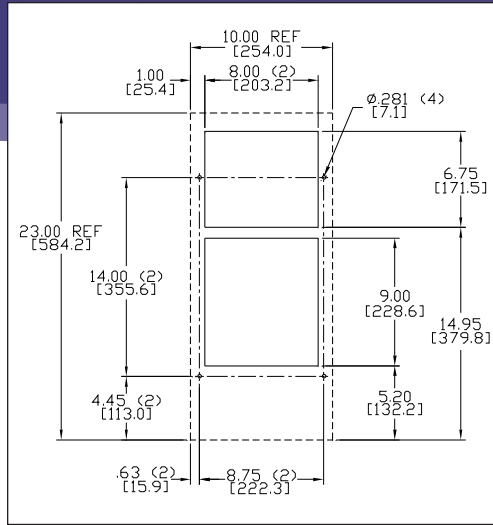
-XX will be replaced with a two-digit number designating all desired options. Consult the factory for specific model numbers.
 *Because air conditioners provide less cooling at lower operating temperatures, two cooling capacity ratings are listed for each ProAir™ air conditioner to assist you in your selection.

■ Ambient air flow
 ■ Clean air flow

PROAIR™ CR23

CUT-OUT NOTES

1. Dash lines represent air conditioner.
2. Cut-out dimensions for standard product only.
3. Full-size mounting template provided.



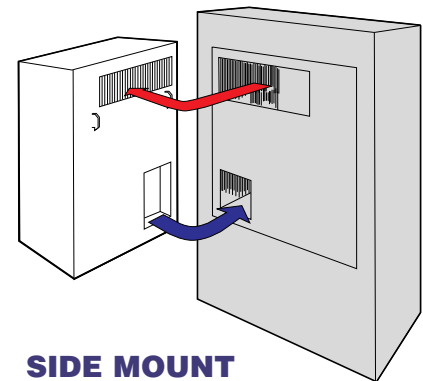
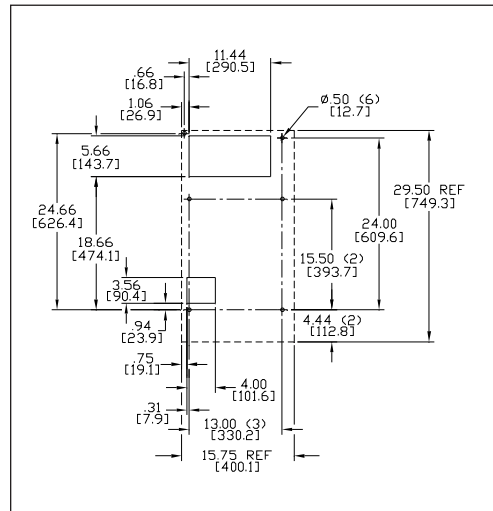
SIDE MOUNT TO ENCLOSURE

For TYPE 12 enclosure, interfacing air-out and air-in openings are required in the enclosure wall.

PROAIR™ CR29

CUT-OUT NOTES

1. Dash lines represent air conditioner.
2. Cut-out dimensions for standard product only.
3. Full-size mounting template provided.



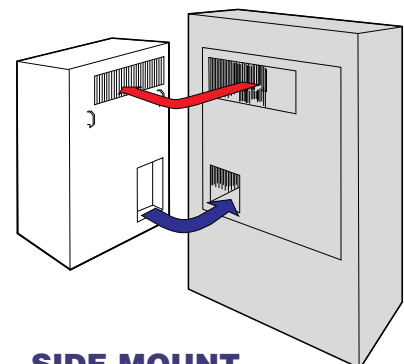
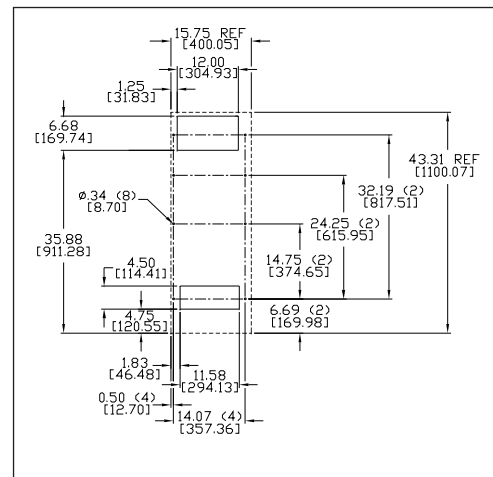
SIDE MOUNT TO ENCLOSURE

For TYPE 12 enclosure, interfacing air-out and air-in openings are required in the enclosure wall.

PROAIR™ CR43

CUT-OUT NOTES

1. Dash lines represent air conditioner.
2. Cut-out dimensions for standard product only.
3. Full-size mounting template provided.

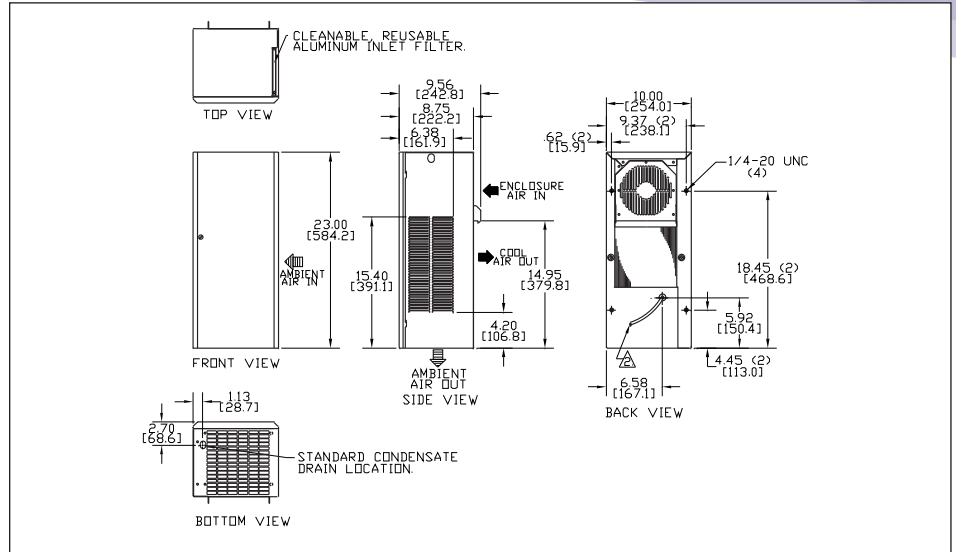


SIDE MOUNT TO ENCLOSURE

For TYPE 12 enclosure, interfacing air-out and air-in openings are required in the enclosure wall.

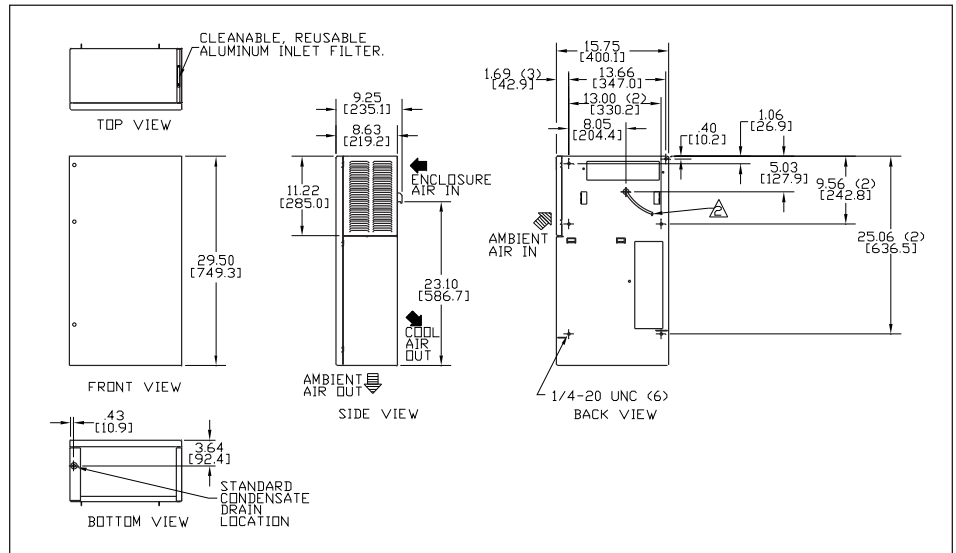
DESIGN NOTES

1. Gasket kit for mounting to enclosure included.
2. Service cord terminated with appropriate plug cap.



DESIGN NOTES

1. Gasket kit for mounting to enclosure included.
2. Service cord terminated with appropriate plug cap.



DESIGN NOTES

1. Gasket kit for mounting to enclosure included.
2. Service cord terminated with appropriate plug cap.

